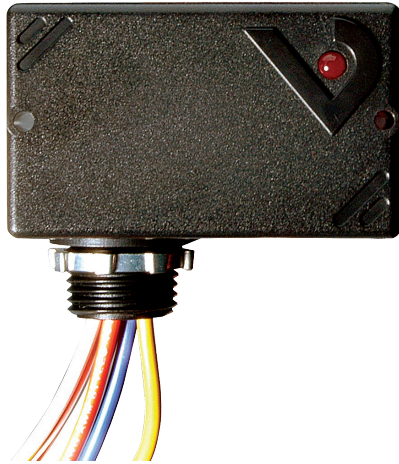


# V200



# V200

## 10A SPDT Enclosed Relay 10-30 VDC/AC or 208-277 VAC Coil

### Installer's Specifications

Operating Temperature	-34°C to 60°C (-29° to 140°F)
Operating Humidity	10-90% non condensing
Expected Relay Life	Electrical (at rated current): 100,000 cycles Mechanical (unpowered): 10,000,000 cycles
Relay Status	LED ON=energized
<b>Wire Specifications:</b>	
Lead Length	14" (356mm) min.
Gauge	UL1015; Coil: 18AWG; Contacts: 16AWG
Insulation Class	600VAC RMS
Agency Approvals	UL508 enclosed device listing



### HAZARD OF ELECTRIC SHOCK, EXPLOSION, OR ARC FLASH

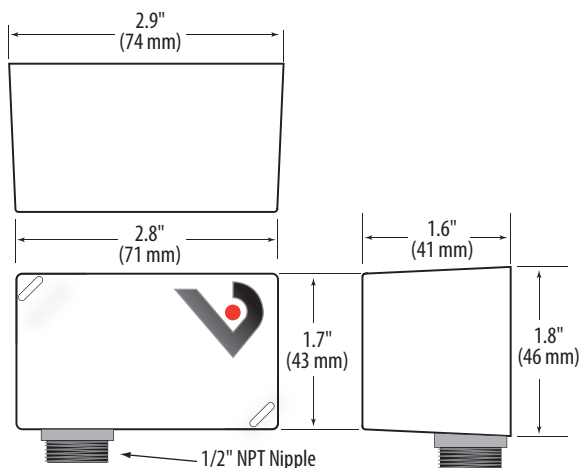
- Follow safe electrical work practices. See NFPA 70E in the USA, or applicable local codes.
  - This equipment must only be installed and serviced by qualified electrical personnel.
  - Read, understand and follow the instructions before installing this product.
  - Turn off all power supplying equipment before working on or inside the equipment.
  - Use a properly rated voltage sensing device to confirm power is off.
- DO NOT DEPEND ON THIS PRODUCT FOR VOLTAGE INDICATION**

**Failure to follow these instructions will result in death or serious injury.**

## NOTICE

- This product is not intended for life or safety applications.
- Do not install this product in hazardous or classified locations.
- The installer is responsible for conformance to all applicable codes.
- Mount this product inside a suitable fire and electrical enclosure.

## DIMENSIONS



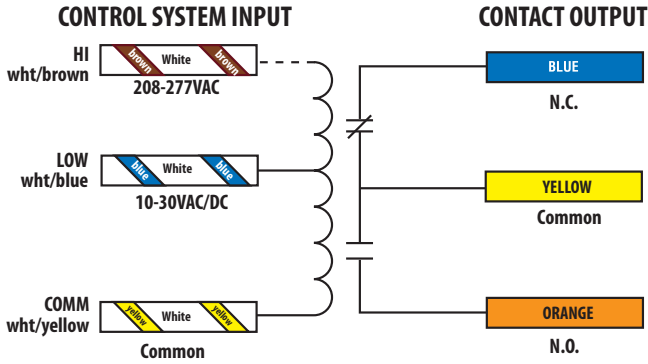
## INSTALLATION

Disconnect and lock out all power sources before beginning the installation.

1. Using the threaded nipple, connect the relay to the desired enclosure through a knock out hole.
2. Secure with the conduit nut provided.
3. Connect Coil:
  - Choose the coil common lead (white with yellow stripe) and connect it to the (-) source termination point.
  - Choose either the low voltage (10-30VAC/DC, white with blue stripe) or high voltage (208-277VAC, white with brown stripe) lead, depending on the application requirements, and connect it to the (+) source termination point.\*
4. Connect Relay Contacts:
  - Choose the relay common wire (yellow) and connect to switched load.
  - Choose the relay N.O. (orange) and/or\* N.C. (blue) lead and connect to switched load.
5. Secure the enclosure and reconnect power.

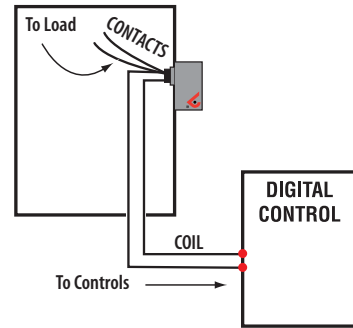
\* Isolate or insulate all non-terminated wires according to local electrical code requirements, i.e. wire nut.

**WIRING COLOR CODES**



**WIRING EXAMPLE**

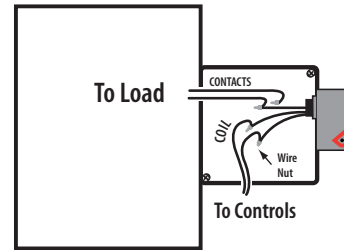
*Nipple mount directly to a panel*



**CONTACT AND COIL SPECIFICATIONS**

TYPICAL COIL PERFORMANCE		
<b>Pull in Voltage</b>	AC	DC
10-30V.....	8	9
208-277V.....	154	
<b>Drop Out Voltage</b>	AC	DC
10-30V.....	2	3
208-277V.....	36	
<b>Voltage</b>	<b>Coil Current</b>	
	AC	DC
10V.....	25mA	14mA
12V.....	25mA	14mA
24V.....	31mA	16mA
30V.....	39mA	18mA
208V.....	19mA	-
277V.....	25mA	-

*Nipple mount to any 2x or 4x electrical box*



CONTACT RATINGS	
Resistive.....	10A@277VAC, 28VDC
Motor.....	120VAC, 1/3HP N.O. & 1/6HP N.C. 240VAC, 1/3HP N.O. & 1/6HP N.C. 277VAC, 1/4HP N.O. & 1/8HP N.C.
Pilot Duty.....	277VAC, (1.7A), 480VA N.O.
Ballast.....	277VAC, 1.7A
Tungsten.....	120VAC, TV3 N.O. TV2 N.C.
Gold Flash.....	Yes